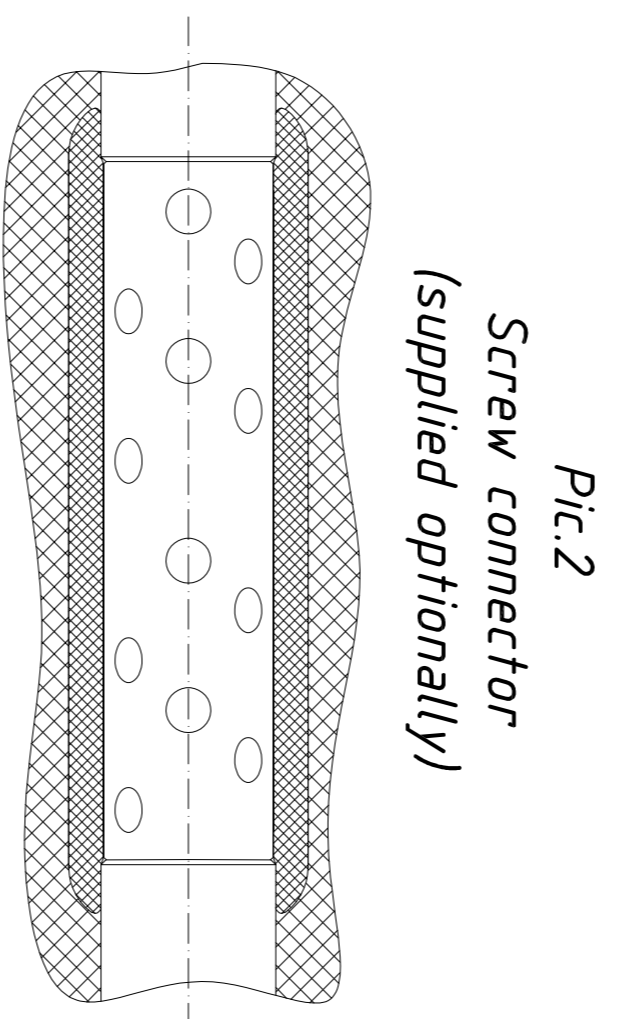


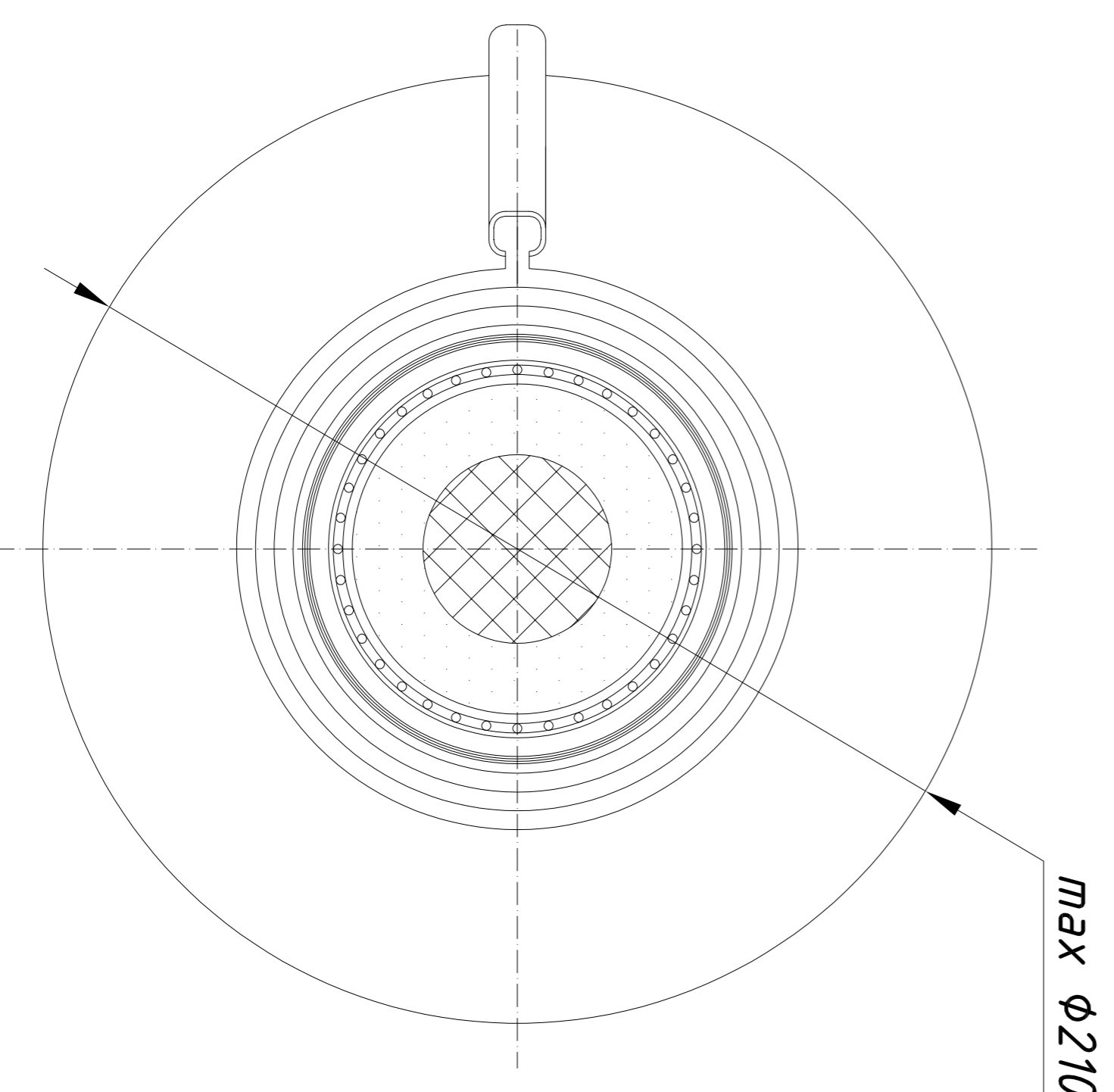
Pic.1
Crimp connector

A



Pic.2
Screw connector
(supplied optionally)

A-A (1:2)



Pic.3
Welded connection
(supplied optionally)

Table 2

Name	Notation	Performance
MCB 126	-	Pic.1
	B	Pic.2
	M	Pic.3

AKS.002.000.000 SV

High-voltage cable
joint MCB 126 (0)

Simple view

Ch. List	№Doc.	Sign.	Date
Develop. Petrov		<i>[Signature]</i>	28.09.2018
Check Terekhov		<i>[Signature]</i>	28.09.2018
Approve Kintyukhin		<i>[Signature]</i>	28.09.2018

Lit

A

Mass

1:5

Scale

Page

Pages 1

Arkasil SK LLC